

AFTERCARE INSTRUCTIONS

Your fitting has a high quality finish and should be treated with care to preserve the visible surfaces.

All surface finishes will wear if not cleaned correctly, the only safe way to clean your mixer is to wipe with a soft damp cloth. Stains can be removed using washing up liquid. All bath cleaning powders and liquids will damage the surface of your fitting, even the non-scratch cleaners. **NOTE: Never use abrasive detergents or disinfectants or those containing alcohol, hydrochloric acid or phosphoric acid.**

GUARANTEE

All products are manufactured to the highest standards and a 5 year guarantee covers any defect in manufacture.

NOTE: The 5-year guarantee on the cartridge is invalidated if damaged by any waterborne debris.

All products must have access for servicing or replacement during the life of the product.

In the interests of continuous product development we reserve the right to alter specification as necessary

PRODUCT CODE:

PRODUCT IDENTIFICATION CODE LASER ETCHED ON PRODUCT

Installer please fill in code here _____.(Where applicable)

TELEPHONE HELPLINE! +44 (0)844 701 6273

Bristan Group Limited
Birch Coppice Business Park
Dordon
Tamworth
Staffordshire
B78 1SG
UK
A Masco Company
Website: www.bristan.com
Telephone: +44 (0) 844 701 6274
Facsimile: +44 (0) 844 701 6275

BRISTAN

Bridge Deck Sink Mixer

Fitting Instructions & Contents List

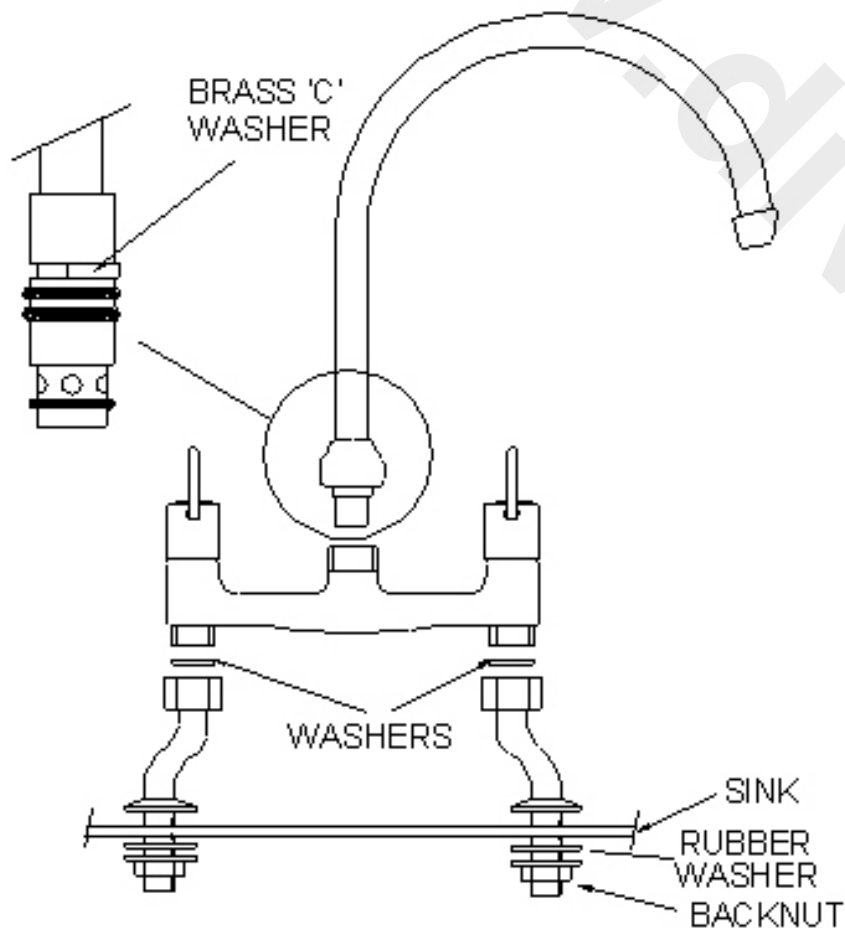
Please keep these instructions for future reference and request of replacement part

WATER PRESSURE

This mixer is suitable for use at all supply pressures.

If the fitting is installed at low pressure (tank fed), then the minimum height from the outlet nozzle to the underside of the cold tank should be 1.8 metres to ensure adequate shower performance. These taps should be installed in compliance with the Water Regulations.

This mixer should be installed in compliance with the Water Regulations. For further details contact your Local Water Authority.



INSTALLATION

1. Identify all components and check for completeness, particularly before commencing installation.
2. Fit the nozzle to the body, using the brass 'C' washer in the groove above the 'O' rings.
3. Fit the legs to the body using the plastic sealing washers.
4. Install the fitting into the sink, using the washers and backnuts provided.
5. Connect the hot and cold water supplies.
6. Turn on the water supplies. Open both valves letting the water flow for a few minutes to flush the system.
7. Check all joint and connections for leaks.
8. See back page for aftercare instructions.

MAINTENANCE

Traditional type valves:- If the fitting leaks from the spindel.

1. Remove fitting handle (if necessary).
2. Tighten gland nut on top of valve.

All valve types:- If the fitting begins to drip

1. Turn off the water supply
2. Remove fitting handle and valve.
3. Carefully clean seating and rubber washer.
4. Replace valve and then turn on the water supply.
5. if problem persists contact our helpline quoting the produce code overleaf.

N.B. Please write the name and product code of your fitting in the spaces provided overleaf. This will ensure a speedier service if you should need to phone the helpline.

PLEASE NOTE:

In the unlikely event you find a part missing, please contact our Customer Service helpline on **0844 701 6273** for immediate dispatch of part